

# niftylift

# SP50N



Niftylink®

(A) 56ft



(B) 49ft 6in



(C) 32ft



500lbs



4ft 11in x 2ft 8in



150°



180°



(D) 6ft 6in



(E) 4ft 11in



(F) 16ft 2in



(G) 21ft



2.2mph



11ft 6in



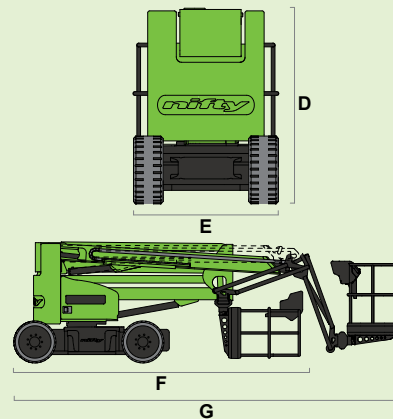
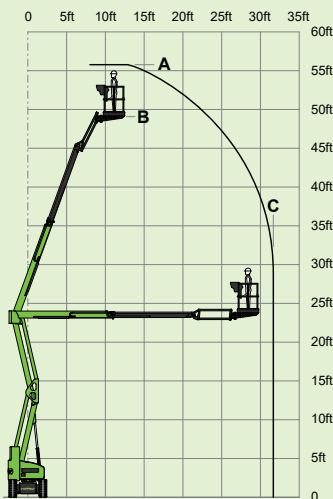
25%  
14°



17220lbs

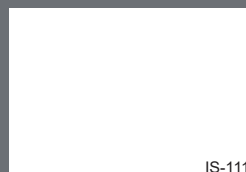


All-Electric  
Hybrid<sup>2</sup>



SiOPS® toughcage  
Niftylink®

**niftylift**  
1438 S. Buncombe Road,  
Greer, SC - 29651  
United States  
1-800-643-8954  
usasales@niftylift.com  
www.niftylift.com



IS-111