

niftylift



SP45N



(A) 51ft



(B) 44ft



(C) 32ft



500lbs



4ft 11in x 2ft 8in



150°



180°



(D) 6ft 6in



(E) 4ft 11in



(F) 16ft 2in



(G) 21ft



2.2mph



11ft 6in



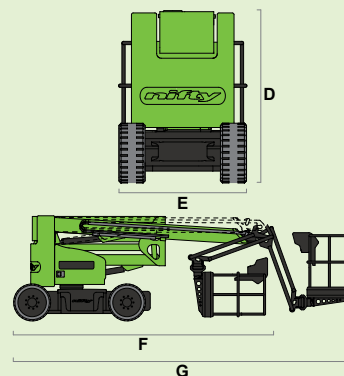
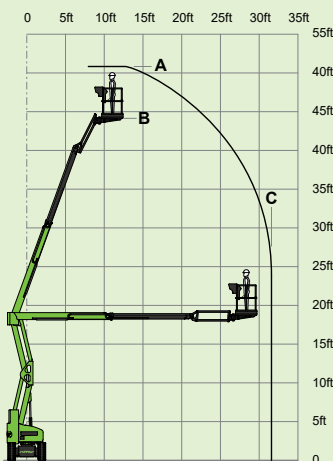
25%
14°



15980lbs

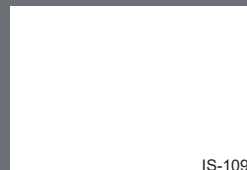


All-Electric
Hybrid²



SiOPS[®] toughcage
Niftylink[®]

niftylift
1438 S. Buncombe Road,
Greer, SC - 29651
United States
1-800-643-8954
usasales@niftylift.com
www.niftylift.com



IS-109