

# niftylift

# HR12NE



Niftylink



(A) 12.1m  
39ft 6in



(B) 10.1m  
33ft



(C) 6.4m  
21ft



225kg  
500lbs



1.2m x 0.85m  
3ft 11in x 2ft 9in



(D) 1.98m  
6ft 6in



(E) 1.5m  
4ft 11in



(F) 4.05m  
13ft 3in



6km/h  
3.7mph



3.3m  
11ft 6in



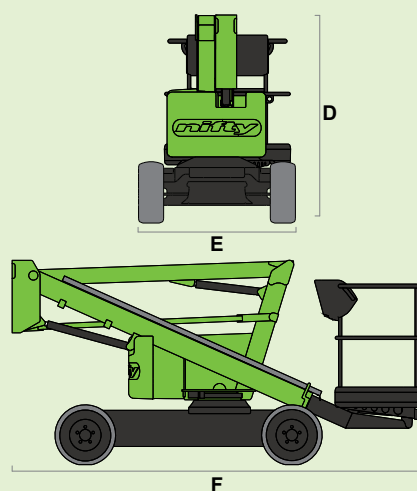
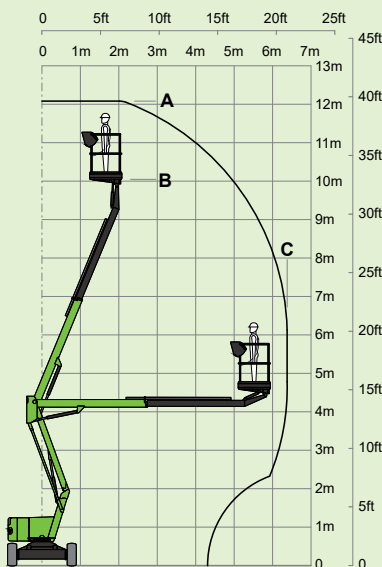
25%  
14°



3480kg  
7670lbs



All-Electric  
Diesel-Electric



SiOPS® toughcage  
Niftylink®

**niftylift**

Chalkdell Drive, Shenley Wood,  
Milton Keynes, MK5 6GF  
England, United Kingdom  
+44 1908 223456  
sales@niftylift.com  
www.niftylift.com

 ISO 9001 QUALITY MANAGEMENT	 ISO 14001 ENVIRONMENTAL MANAGEMENT	 ISO 45001 HEALTH & SAFETY MANAGEMENT
---	--	--

